

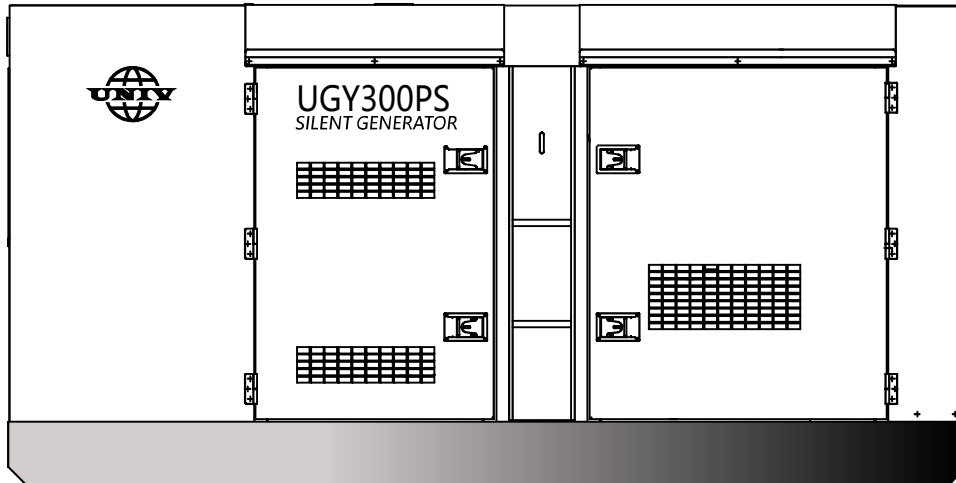


UGY300PS

UNIVPOWER SILENT SERIES

POWER OUTPUT

Prime Rating — 240 kW (300 kVA)
 Standby Rating — 264 kW (330 kVA)
 3-Phase, 50 Hertz, 0.8 PF



STANDARD FEATURES

- Heavy duty, 4-cycle, variable speed fan, diesel engine provides maximum reliability.
- Brushless alternator reduces service and maintenance requirements. Class H protection.
 - Open delta alternator design provides virtually unlimited excitation for maximum motor starting capability.
 - Automatic voltage regulator (AVR) provides precise regulation.
- Electronic governor system maintains frequency to $\pm 0.25\%$.
- Full load acceptance of standby nameplate rating in one step
- Soundproof, weather resistant, steel housing provides operation at 76dB (A) at 7meters. Fully lockable enclosure allows safety operation. Outdoor operation available.
- Internal fuel tank with direct observing glass, and fuel level meter display on control panel
 E-coat and powder coat paint provides durability and weather protection.
- Digital engine gauges including oil pressure, water temperature, battery volts, engine speed, and fuel level.
- Analog generator instrumentation including Ampere meter,
- Voltage meter, frequency meter, ammeter phase selector switch, voltmeter phase selector switch. Analog generator instrumentation and regulator adjustment.
- Deepsea/Comap professional generator controller.
 - High visibility LCD display with heated screen and alphanumeric readout.
 - IP65 Protection standard, operational temperature range of -40° to 85° C.
 - Modbus interface for gauge panel and expansion options.
 - DPF cleaning cycle indication.
 - Log record for inspection
- Automatic safety shutdown system monitors the water temperature, engine oil pressure, low coolant, low DEF, overspeed, and overcrank. Warning lights indicate abnormal conditions.
- Fuel/water separator. Removes condensation from fuel for extended engine life.
- Emergency stop switch — when manually activated, shuts down in any emergency.

UNIVPOWER SILENT SERIES

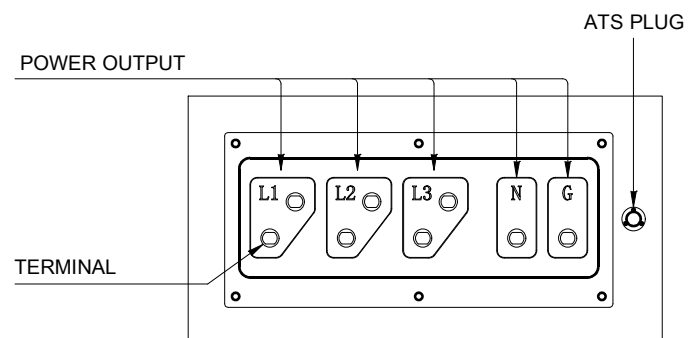
UNIV POWER DECIBEL LEVELS

Revolving field, self ventilated weatherproof Normal conversation allows substantially lower operating noise levels than competitive designs. UNIVGensets good for home, construction sites, residential, hospital, etc.

- 90 — Subway / truck traffic
- 80 — Average city traffic
- 70 — **UNIVGenset at 7m**
— Inside car at 60 mph
- 60 — Air conditioner at 6m
- 50 — Normal conversation

76.0
DECIBELS

GENERATOR OUTPUT PANEL





UGY300PS

UNIVPOWER SILENT SERIES

SPECIFICATIONS

Generator Specifications	
Model	Revolving field, self-ventilated weatherproof
Armature Connection	Star with Neutral
Phase	3
Standby Output	264 KW (330 KVA)
Prime Output	240 KW (300 KVA)
Power Factor	0.8
Voltage Regulation (No load to full load)	±0.5%
Generator RPM	1500
Frequency	50 Hz
No. of Poles	4
Excitation	Brushless with AVR
Frequency Regulation: No Load to Full Load	Isochronous under varying loads from no load to 100% rated load
Frequency Regulation: Steady State	±0.25% of mean value for constant loads from no load to full load.
Insulation	Class H
Sound Level dB(A) Full load at 7M	76

Amperage	
Rated Voltage	Maximum Amps
3Ø Volt 230/400	433.0 Amps
3Ø Volt 220/380	455.8 Amps
Main Line Circuit Breaker Rating	630 Amps
Over Current Relay Trip Set Point 400V Mode	700 Amps

Fuel System	
Fuel Tank Capacity	132.1 gallons (500 liters)
Fuel Consumption	L / h
At full load	58.5
At 3/4 load	43.8
At 1/2 load	29.6
At 1/4 load	18.5

Control system	
Controller Brand	Deepsea
Model	DSE7320
Module	Manual/Auto start/stop module
Standard function	Engine control
	Generator monitoring
	Generator protection
	Specification
Display	Frequency
	Battery voltage
	Running hour
Warning/shutdown	under/over voltage
	under/over speed
	under/over frequency
	Low oil pressure
	High water temperature
Communication port	USB/RS232/RS485

Engine Specifications	
Make / Model	Perkins / 1706A-E93TAG1
Emissions	/
Starting System	Electric
Design	4-cycle, water cooled, direct injection, Turbocharged
Displacement	9.29 liters
No. cylinders	6
Bore x Stroke	115 x 149 mm
Gross Engine Power Output	358 hp (267 kW)
Compression Ratio	16.5 : 1
Engine Speed	1500 rpm
Overspeed Limit	1725 rpm
Oil Capacity	7.93 US gallons (30 liters)
Coolant Capacity	9.46 US gallons (35.8 liters)
Battery	24V 100Ah x 2

Alternator	
Alternator Brand	Stamford / Meccalte / Dingol
Alternator Model	S4L1D-D/ ECO38 1L4A/ DG444D
Excitation	Brushless, Self-Excited system
Capacity(KVA)	300kva
Power(KW)	240kw
Efficiency(%)	88%
Insulation class	Class H
Protection class	Ip23
Steady state voltage regulation	±1%
Voltage control	AVR

WARRANTY*

Generator

12 months from date of purchase or 1000 hours (whichever occurs first).

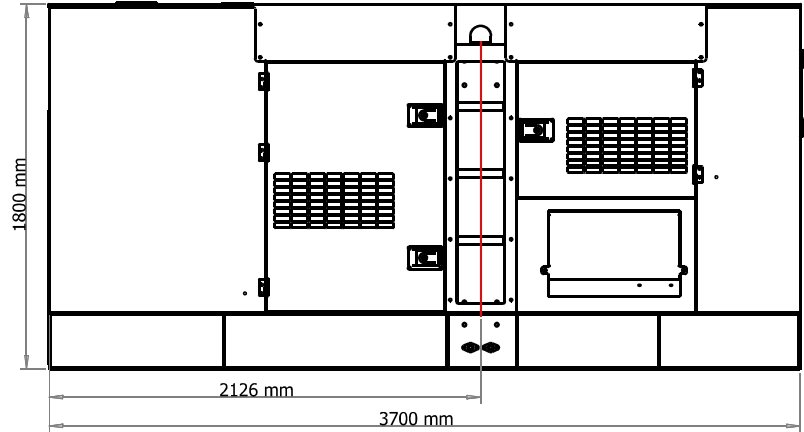
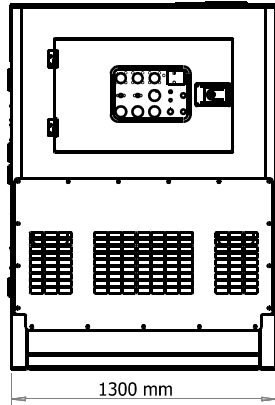
NOTICE

Enough Air flow is extremely important to Generator operation. Improper connection can cause electrocution and/or property damage. Do not connect to any electrical system except through an approved device. Specifications are subject to change without notice.

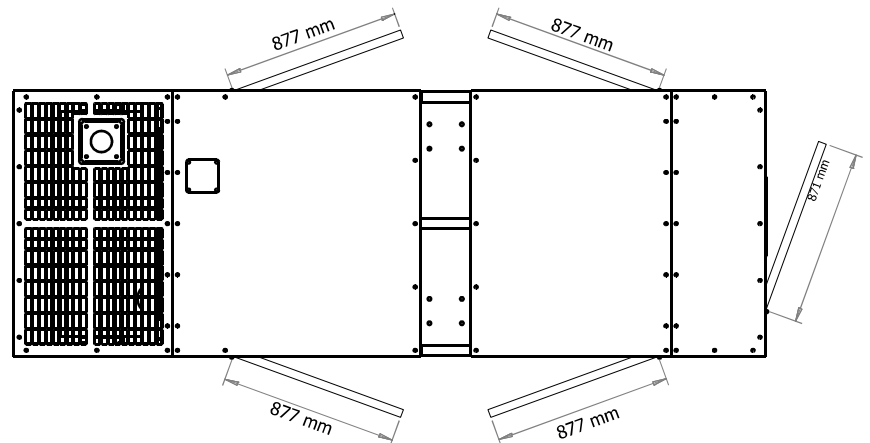


UGY300PS

UNIVPOWER SILENT SERIES



Weight	
Dry Weight	3,750 kg
Wet Weight	3,760 kg
Max. Lifting Point Capacity	7,500 kg



Manufactured by
Zhejiang Universal Machinery Co., Ltd
Add: No 18-9 Nanshan Road, Qujiang Zone,
Quzhou city, Zhejiang Province, CN
Tel: 0086-570-3377022
Fax: 0086-570-3377023
Website: www.univpower.com